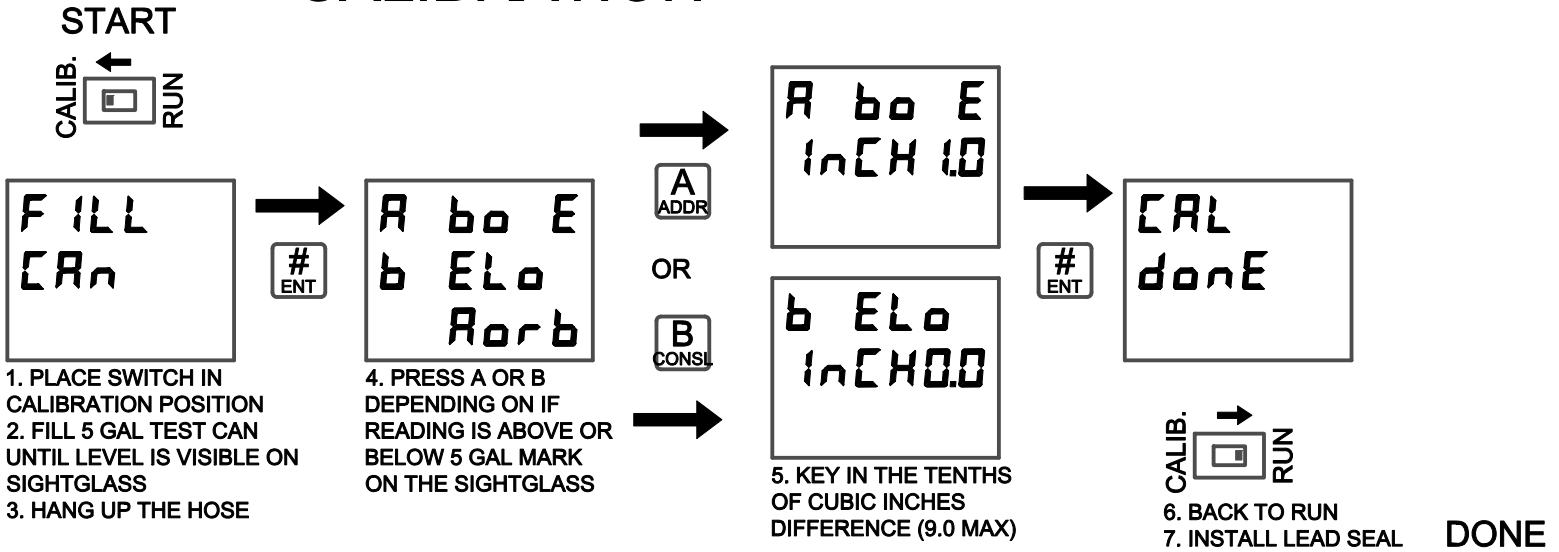


CALIBRATION



PROGRAMMING AND TOTALS

